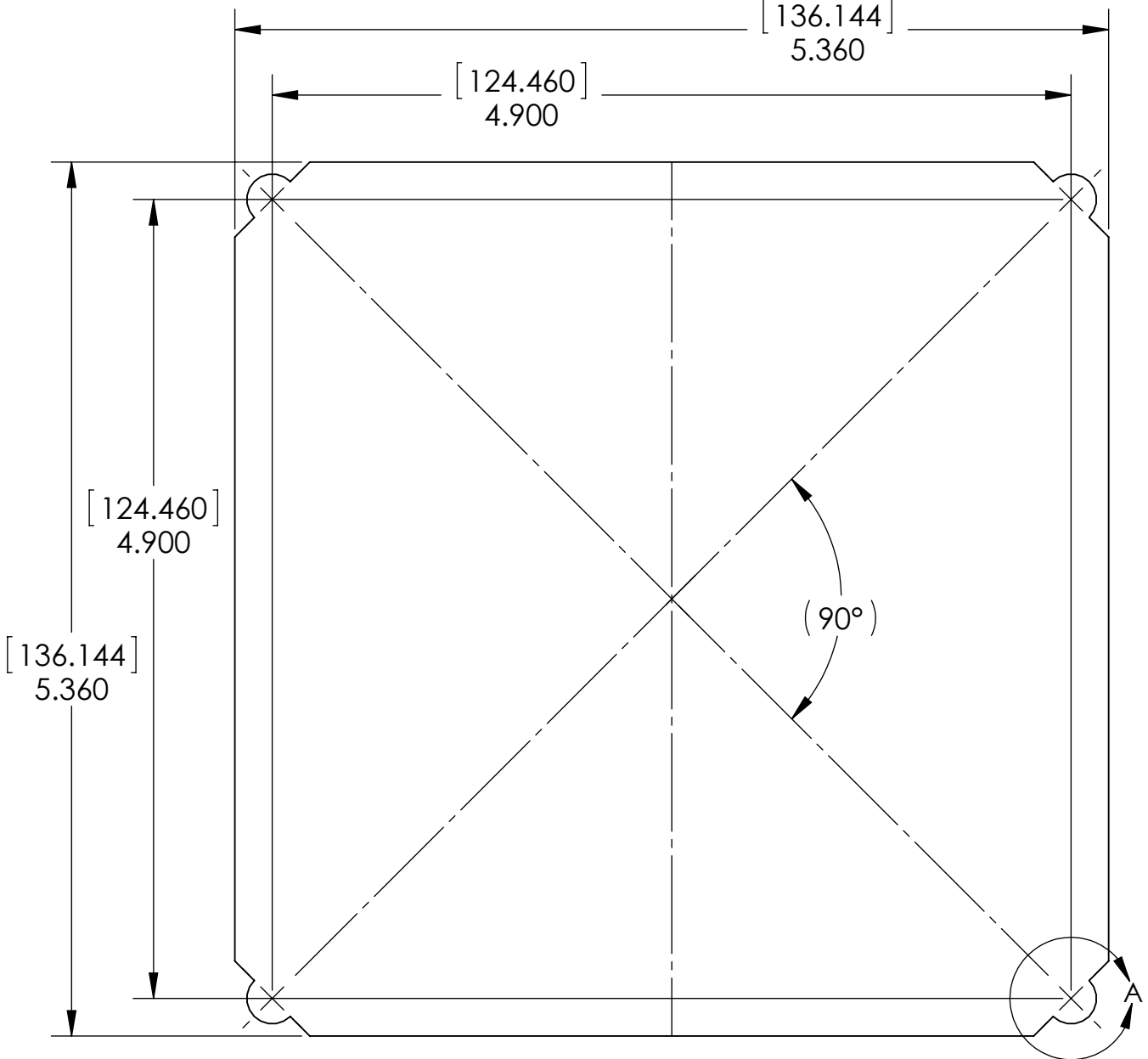


REVISION		
REV	DESCRIPTION	APPROVED
A	Production Release	Greg Rronkainen



For a document that prints with the correct measurements, choose PAGE SCALING: NONE in the print dialog.

NOTICE-HACH COMPANY CLAIMS PROPRIETARY RIGHTS IN THE INFORMATION DISCLOSED ON THE DRAWING. IT IS ISSUED IN CONFIDENCE FOR ENGINEERING INFORMATION ONLY AND MAY NOT, IN WHOLE OR IN PART, BE USED TO MANUFACTURE ANYTHING, WHETHER OR NOT SHOWN HEREON/ REPRODUCED OR DISCLOSED TO ANYONE WITHOUT DIRECT PERMISSION FROM HACH COMPANY.

MATERIAL

UNLESS OTHERWISE SPECIFIED DIMENSIONS ARE IN INCHES [MM]
 TOLERANCES:
 .X = ±.03
 .XX = ±.01
 .XXX = ±.005
 ANGLES = ±.25°

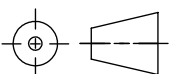
DRAWN	NAME	DATE
ENGINEER		

THIRD ANGLE PROJECTION



HACH COMPANY
 5600 LINDBERGH DR.
 LOVELAND, CO. 80539

TITLE:
Panel Cutout Template



INTERPRET GEOMETRIC TOLERANCING PER: ANSI Y14.5 1994

SIZE	DWG. NO.	REV.
A	sc200SymetricPanelCutOut	A
SCALE: 1:1	WEIGHT:	SHEET 1 OF 1